



Steel pulleys with and without housing



25261-L/R



25273



25272

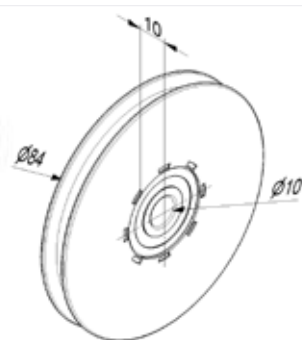


25260

25273

Cable pulley Ø 60mm

Unit : 1 piece
 Material : Zinc plated steel
 Weight : 0,220 kg / piece
 Description : Steel cable pulley for max 3mm cables.
 Diameter 60mm.
 Application : Residential



25272

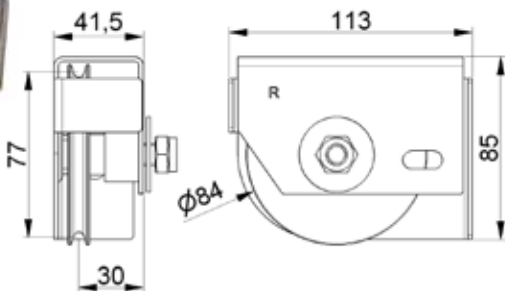
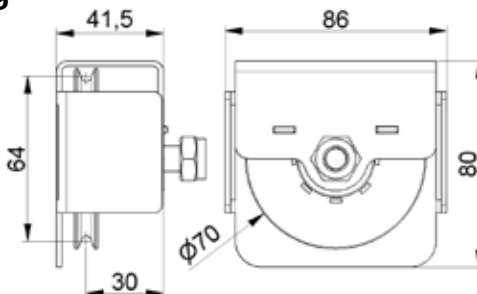
Cable pulley Ø 80mm

Unit : 1 piece
 Material : Zinc plated steel
 Weight : 0,352 kg / piece
 Description : Steel cable pulley for max. 4mm cables. Diameter 80mm.
 Application : Residential

25260

Steel cable pulley with housing

Unit : 1 piece
 Material : Zinc plated steel
 Weight : 0,570 kg / piece
 Description : Steel cable pulley with housing.
 Max. cable diameter 3mm.
 Pulley diameter: 60mm.
 Application : Residential



25261-L/R

Steel cable pulley with housing

Unit : 1 pair
 Material : Zinc plated steel
 Weight : 0,816 kg / piece
 Description : Steel cable pulley with housing.
 Left and right version. Max cable diameter: 4mm. Pulley diameter: 80mm.
 Application : Residential